

50HZ



EKLBJ4120

### ▲ Operating Conditions

1. Ambient temperature: +2°C~+50°C.
2. Liquid temperature: +2°C~+50°C.
3. Non-flammable or non-explosive clean water without abrasives or fiber and non aggressive to stainless steel.
4. Working Pressure: Max. 6 bar.
5. Suction Lift: Max.9M.

### ▲ Applications

1. Household water supply, garden sprinkler, car washing.
2. Pure water or drinking water facilities.
3. Air condition or cooling system, industrial washing and other especial applications.

### ▲ Features

1. Compact design, space-saver, and easy to install and dismantle.
2. Wet parts are rustless to ensure clean water provided.
3. Install overload protector in motor's circuit and thermal protector on pump front cover to protect motor from burnout easily due to abnormal conditions.

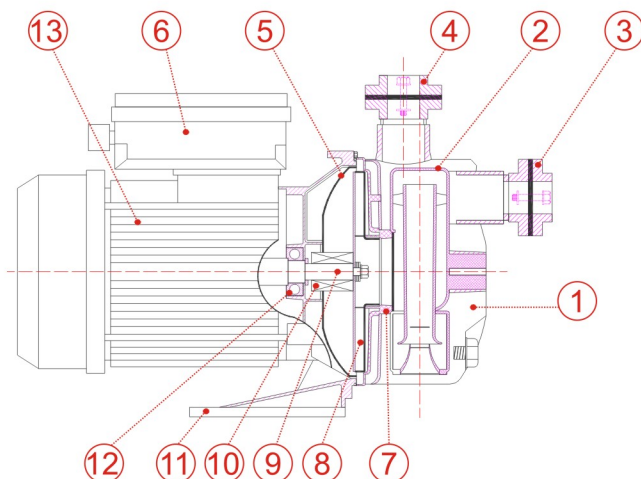


EKLBJ4125, EKLBJ7125

### ▲ Motor Spec.

1. Voltage: Single phase
2. Frequency: 50HZ
3. Enclosed class: IP55
4. Insulation: F class (155°C).
5. Enclosed Fan cooled, 2 Pole motor.
6. Built in motor overload protector

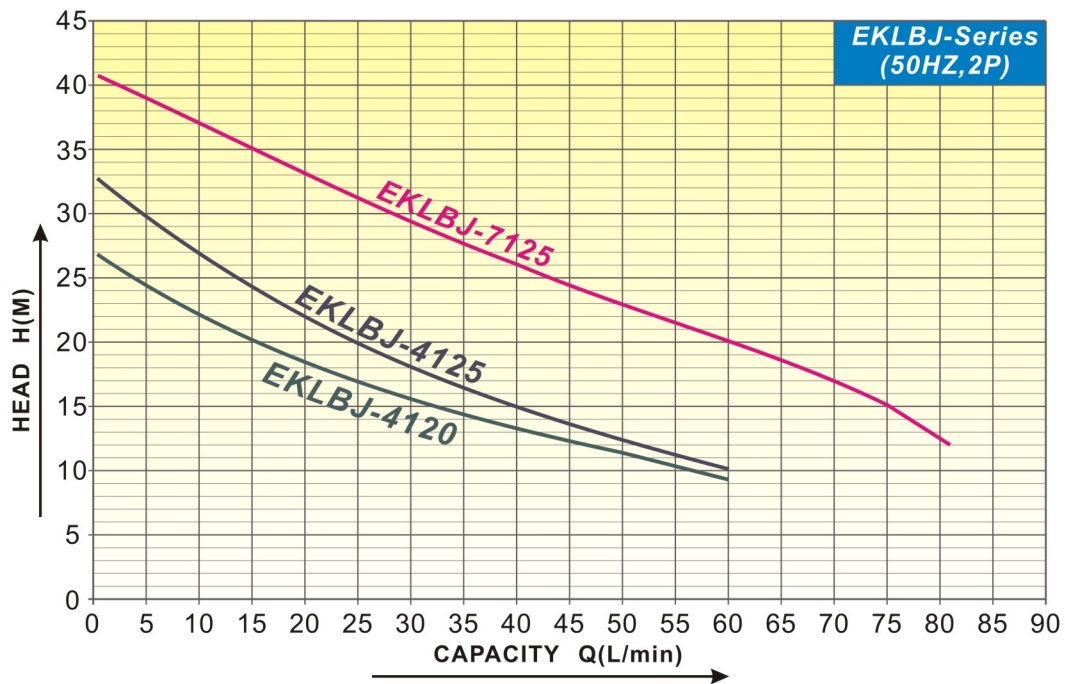
### ▲ Parts & Materials



| No. | Part Name             | Material       |
|-----|-----------------------|----------------|
| 1.  | Pump casing           | SUS304         |
| 2.  | Ejector               | PPO            |
| 3.  | Inlet flange(option)  | SUS304         |
| 4.  | Outlet flange(option) | SUS304         |
| 5.  | Back pump cover       | SUS304         |
| 6.  | Control box           | ABS            |
| 7.  | Guide vane            | PPO            |
| 8.  | Impeller              | SUS304         |
| 9.  | Shaft                 | SUS420         |
| 10. | Mechanical seal       | CA/CE/NBR      |
| 11. | Bottom base           | SS41 or ABS    |
| 12. | Bearing               | -----          |
| 13. | Motor shell           | Aluminum alloy |
|     | Motor coils           | Copper         |

## Performance Curves

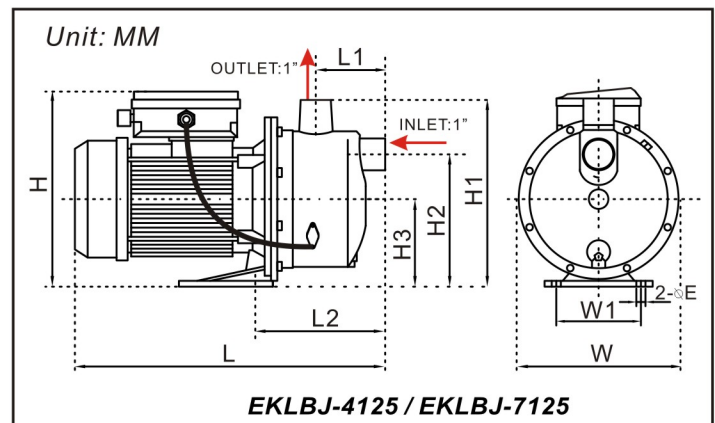
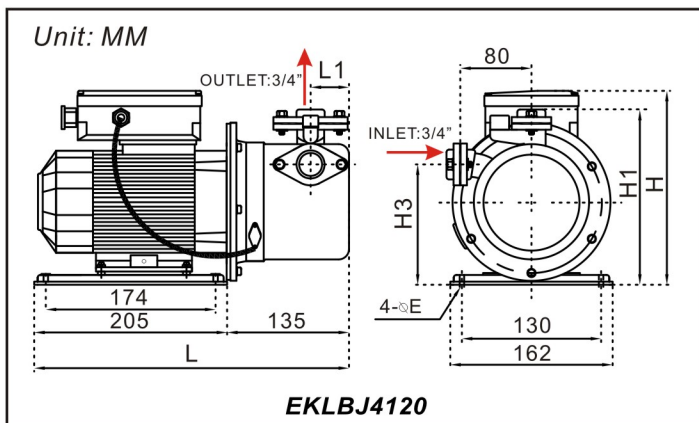
50HZ



## Specification

| MODEL      | Power |      | Pole | PH | Inlet/Outlet |      | Suction Lift | Rated   |       | Maximum |          | Net Weight | Packing Dimensions |
|------------|-------|------|------|----|--------------|------|--------------|---------|-------|---------|----------|------------|--------------------|
|            | HP    | KW   |      |    | ( $\phi$ )   | Inch |              | mm      | M     | Head    | Capacity |            |                    |
| EKLBJ-4120 | 1/2   | 0.37 | 2    | 1  | 3/4"         | 20   | 9            | 15.5~17 | 30~25 | 27      | 70       | 7          | 370*180*230        |
| EKLBJ-4125 | 1/2   | 0.37 | 2    | 1  | 1"           | 25   | 9            | 15~18   | 40~30 | 33      | 70       | 7          | 380*190*230        |
| EKLBJ-7125 | 1     | 0.75 | 2    | 1  | 1"           | 25   | 9            | 23~26   | 50~40 | 41      | 90       | 9.5        | 380*195*270        |

## Dimensions



| Model      | Power | Inlet/Outlet | L   | L1 | L2  | W   | W1  | H   | H1  | H2  | H3  | E  |
|------------|-------|--------------|-----|----|-----|-----|-----|-----|-----|-----|-----|----|
| EKLBJ-4120 | 1/2HP | 3/4"         | 340 | 45 | --- | --- | --- | 205 | 190 | 130 | --- | 8  |
| EKLBJ-4125 | 1/2HP | 1"           | 365 | 88 | 197 | 170 | 100 | 195 | 178 | 130 | 88  | 8  |
| EKLBJ-7125 | 1HP   | 1"           | 354 | 80 | 160 | 184 | 98  | 228 | 202 | 150 | 98  | 10 |