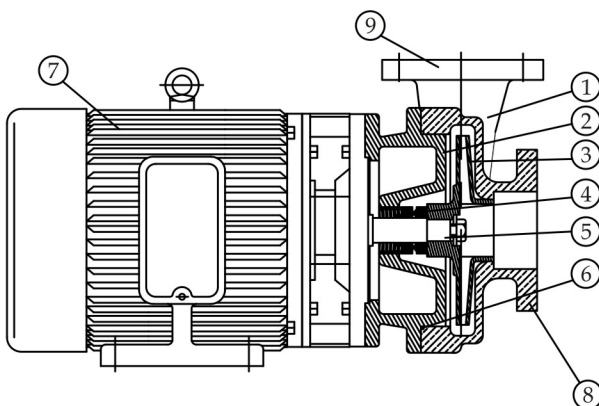




**CPS-Series  
Stainless steel pump  
(SUS304 or SUS316)**  
*(Sea water delivering is allowed)*

### Sectional View



### Operating Conditions

1. Ambient temperature: 0~40°C.
2. Liquid temperature: 0~60°C.
3. For clean water without solid abrasives.  
No flammable or corrosive liquids.
4. Working pressure: Max. 10 bar.

### Applications

1. Heating and cooling water circulation.
2. Broad range of industrial applications.
3. Open loop and close loop water circuit systems.
4. Water supply and pressure boosting systems.
5. Process water for paper mill, brewery, refinery.
6. Boiler feed, washing and cleaning system.
7. Water supply and disposal for households.
8. Water circulation for cooling tower, air-condition facilities.

### Features

1. The motor and pump are connected with the same shaft, for eliminating fluctuation and reducing installation and maintenance cost.
2. Special volute channel design for silent operation and high efficiency.
3. Compact & robust structure for saving space and easy installation.

#### Strong One-piece formed impeller



Bronze close type impeller  
for CP-series



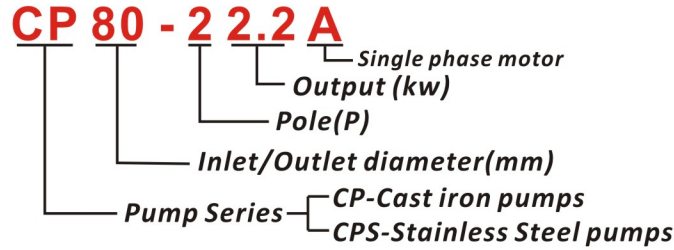
SUS close type impeller  
for CPS-series

### Motor Spec.

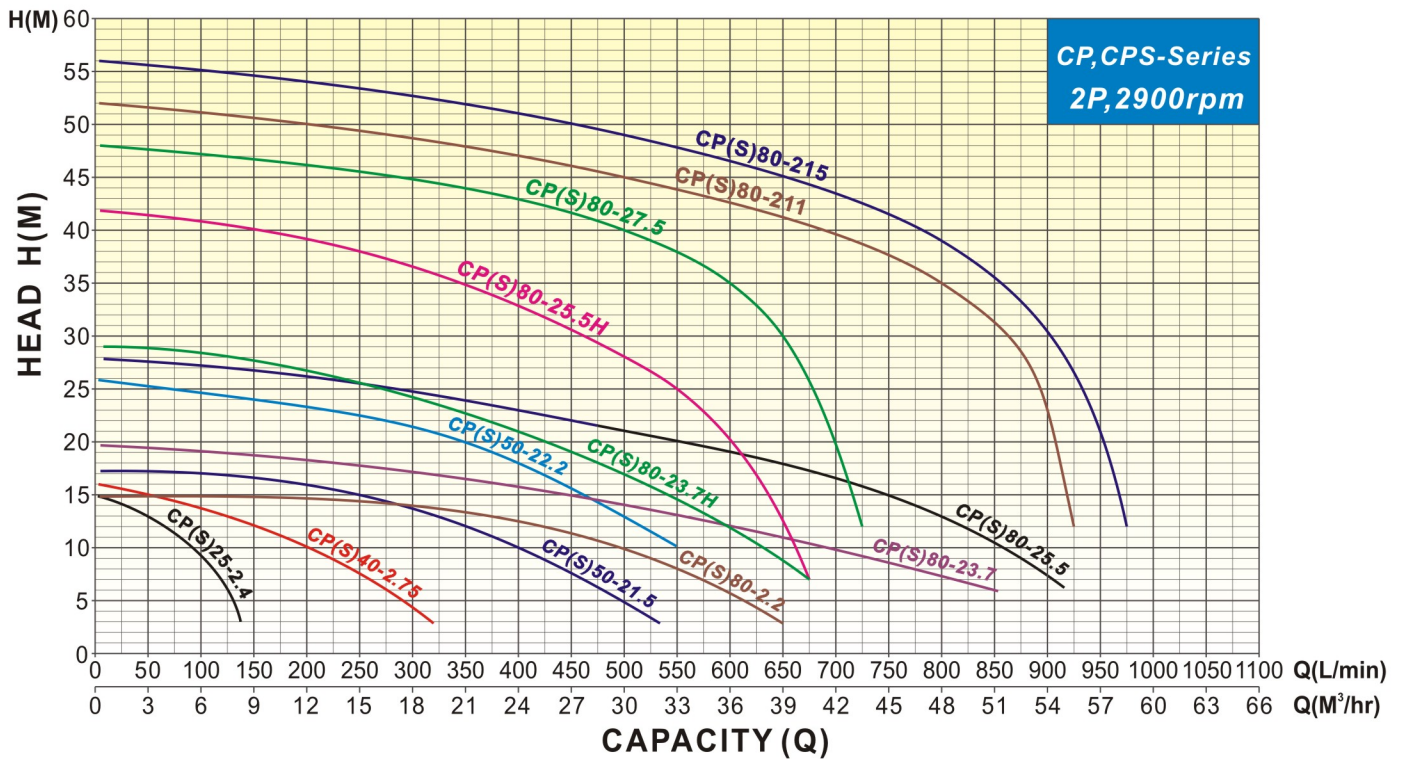
1. Voltage: Single phase 220~240V(0.5~2HP)  
Three phase 220~380V
2. Frequency: 50HZ
3. Enclosed class: IP54
4. Insulation: E, B, F
5. Enclosed Fan cooled, 2 or 4 Pole motor.

Part name	Standard Material	Substitute Material
1. Pump casing	FC200	SUS304/SUS316
2. Back cover	FC200	SUS304/SUS316
3. Impeller	Bronze	SUS304/SUS316
4. Mechanical seal	CA/CE	SIC/SIC
5. Main shaft	SUS420	SUS304
6. O-ring	NBR	TEFLON
7. Motor casing	FC200	-----
8. Inlet flange	FC200	SUS304
9. Outlet flange	FC200	SUS304

▲ **Model Code**



▲ **Performance Curves**



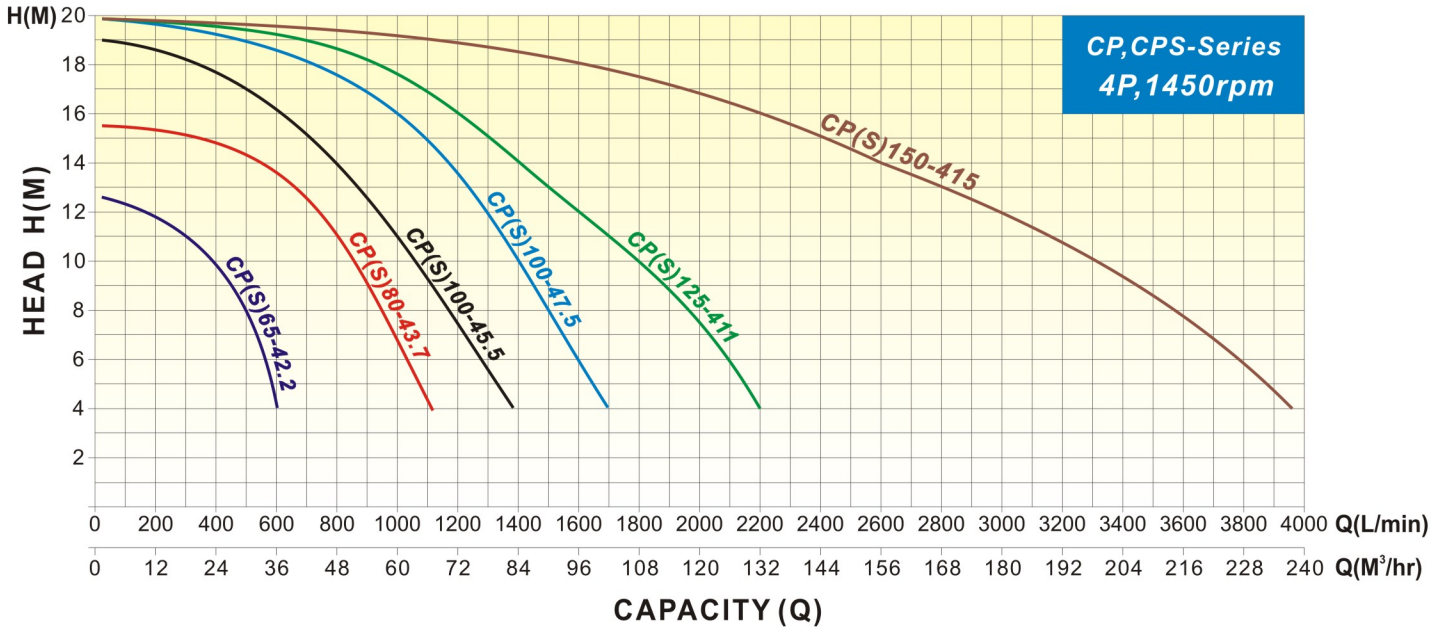
▲ **Specification & Performance Table**

Model		Output(P2)		Pole	Inlet	Outlet	Max.Head	Rated Head	Rated Capacity	
CP-series	CPS-series	HP	KW	P	Inch	Inch	M	M	L/min	M <sup>3</sup> /hr
CP25-2.4	CPS25-2.4	0.5	0.37	2	1"	1"	15	6~13	125~50	7.5~3.0
CP40-2.75	CPS40-2.75	1	0.75	2	1.5"	1.5"	16	10~13	200~125	12~7.5
CP50-21.5	CPS50-21.5	2	1.5	2	2"	2"	17	10~15	400~250	24~15
CP50-22.2	CPS50-22.2	3	2.2	2	2"	2"	26	18~22	400~275	24~16.5
CP80-22.2	CPS80-22.2	3	2.2	2	3"	3"	15	10~13	500~375	30~22.5
CP80-23.7H	CPS80-23.7H	5	3.7	2	3"	3"	29	17~21	500~400	30~24
CP80-23.7	CPS80-23.7	5	3.7	2	3"	3"	20	11~12	650~600	39~36
CP80-25.5H	CPS80-25.5H	7.5	5.5	2	3"	3"	42	25~28	550~500	33~30
CP80-25.5	CPS80-25.5	7.5	5.5	2	3"	3"	28	15~18	750~650	45~39
CP80-27.5	CPS80-27.5	10	7.5	2	3"	3"	48	30~40	650~500	39~30
CP80-211	CPS80-211	15	11	2	3"	3"	52	35~45	800~500	48~30
CP80-215	CPS80-215	20	15	2	3"	3"	56	39~49	800~500	48~30

Ⓞ Special specification or performance request is available upon request.  
 Ⓞ CPS: Stainless steel pump-CPS



▲ **Performance Curves**

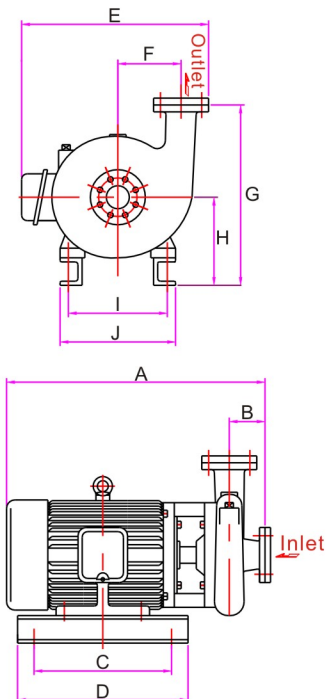


▲ **Specification & Performance Table**

Model		Impeller Dia.	Output(P2)		Pole	Inlet	Outlet	Max.Head	Rated Head	Rated Capacity	
CP-series	CPS-series	MM	HP	KW	P	Inch	Inch	M	M	L/min	M³/hr
CP65-42.2	CPS65-42.2	200	3	2.2	4	2.5"	2.5"	12.5	8~11	500~300	30~18
CP80-43.7	CPS80-43.7	214	5	3.7	4	3"	3"	15.5	10~14	850~550	51~33
CP100-45.5	CPS100-45.5	245	7.5	5.5	4	4"	4"	19	10~14	1050~800	63~48
CP100-47.5	CPS100-47.5	240	10	7.5	4	4"	4"	20	12~16	1300~1000	78~60
CP125-411	CPS125-411	240	15	11	4	5"	5"	20	12~16	1600~1200	96~72
CP150-415	CPS150-415	250	20	15	4	6"	6"	20	12~16	3000~2200	180~132

Ⓢ Special specification or performance request is available upon request.  
 Ⓢ CPS: Stainless steel pump-CPS

▲ **Dimension**



● (2P, 2900rpm, 50Hz)

(unit:mm)

Model	A	B	C	D	E	F	G	H	I	J	Weight
CP(S)25-2.4	335	45	205	230	243	65	181	86	112	146	20kg
CP(S)40-2.75	348	45	205	230	264	70	220	95	125	160	25kg
CP(S)50-21.5	408	62	238	260	306	82	242	105	140	175	36kg
CP(S)50-22.2	395	49	238	260	319	95	265	115	140	175	43kg
CP(S)80-22.2	411	59	238	260	319	80	265	105	140	175	43kg
CP(S)80-23.7H	481	74	265	300	355	100	297	142	190	240	68kg
CP(S)80-23.7	481	76	265	300	355	100	297	142	190	240	68kg
CP(S)80-25.5H	523	73	265	300	388	100	320	162	216	266	90kg
CP(S)80-25.5	523	73	265	300	388	100	320	162	216	266	90kg
CP(S)80-27.5	559	81	265	300	429	120	327	162	216	266	103kg
CP(S)80-211	676	81	350	400	508	140	410	230	254	308	147kg
CP(S)80-215	676	81	350	400	508	140	410	230	254	308	175kg

● (4P, 1450rpm, 50Hz)

(unit:mm)

Model	A	B	C	D	E	F	G	H	I	J	Weight
CP(S)65-42.2	447	65	250	300	415	150	320	170	160	205	59kg
CP(S)80-43.7	488	81	250	300	423	140	362	182	190	235	87kg
CP(S)100-45.5	579	104	250	300	473	155	425	202	216	260	115kg
CP(S)100-47.5	617	104	250	300	473	155	425	202	216	260	128kg
CP(S)125-411	696	97	350	400	555	155	458	230	254	308	185kg
CP(S)150-415	775	121	350	400	588	173	470	230	254	308	220kg

Ⓢ (S): Stainless steel pump-CPS



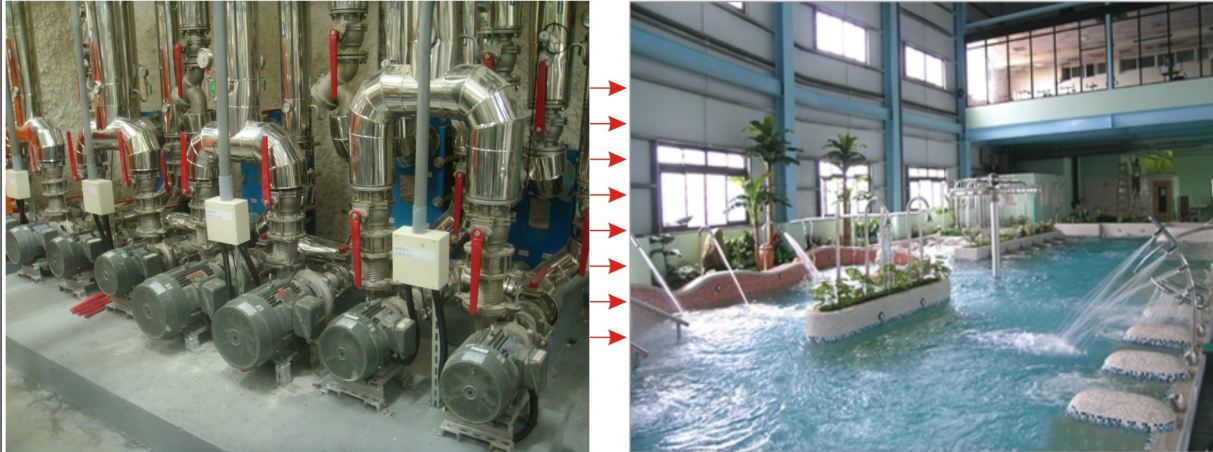
**1. Actual applications of EVERGUSH CP pumps~Water circulation for Cooling Tower(air-condition systems)**



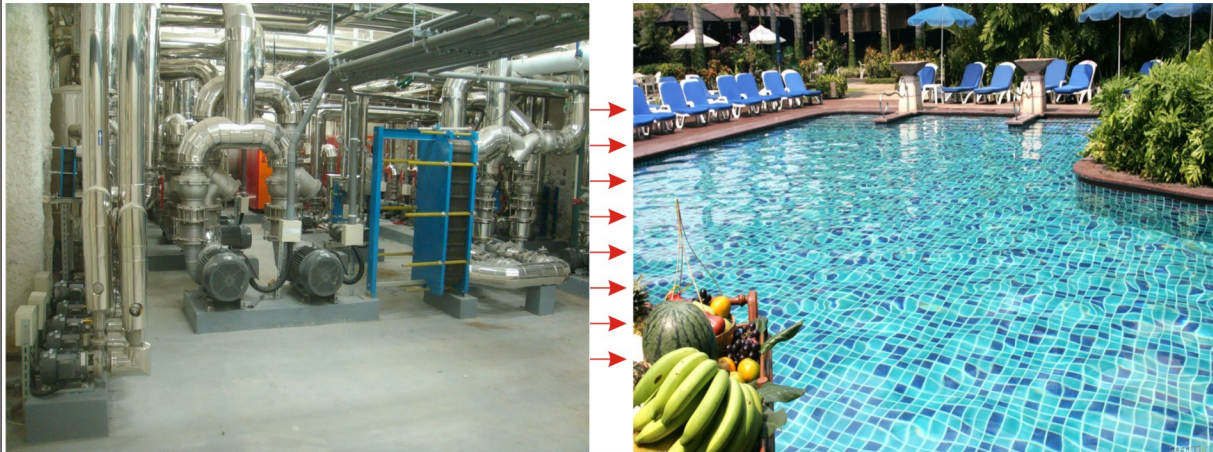
**2. Actual applications of EVERGUSH CP pumps~Water circulation for chiller(air-condition systems)**



**3. Actual applications of EVERGUSH CP pumps~Water supply for spa equipment**

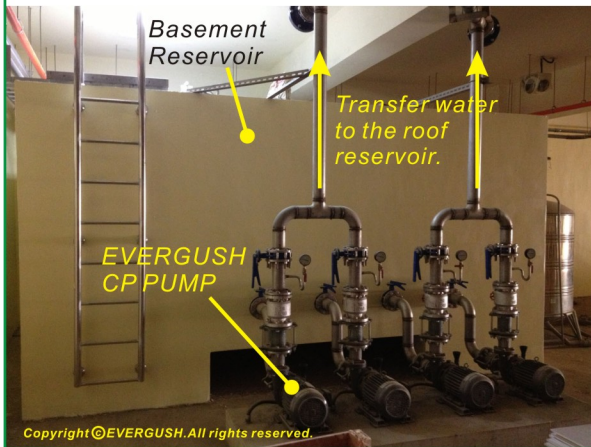


**4. Actual applications of EVERGUSH CP pumps~Water circulation for swimming pool**

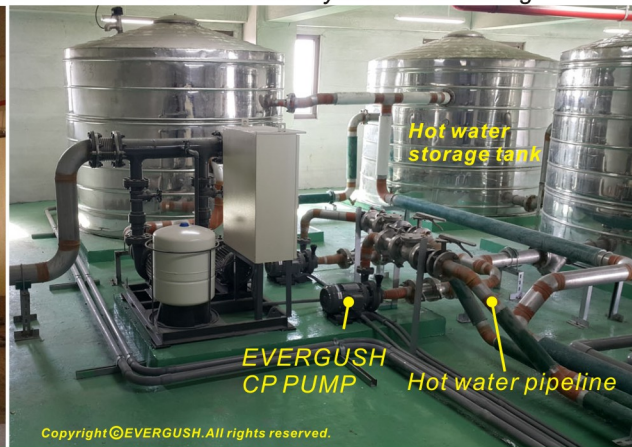




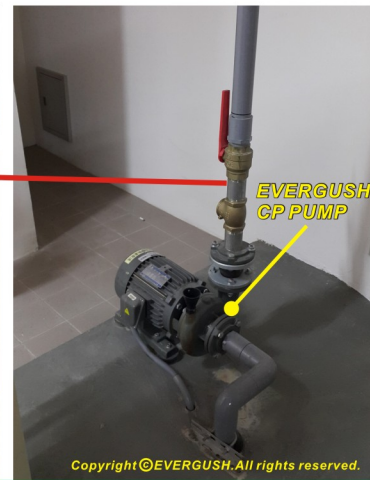
Transfer water to roof reservoir of the building



Hot water transfer or circulation for hot water system of building



Water transfer and circulation for fountain or landscaping.



EVERGUSH UP-series Pump set is installed in the top floor of the building, connecting inlet pipes with water storage tank. The pump system auto-boost constant water pressure downward the whole building.

