

Product features

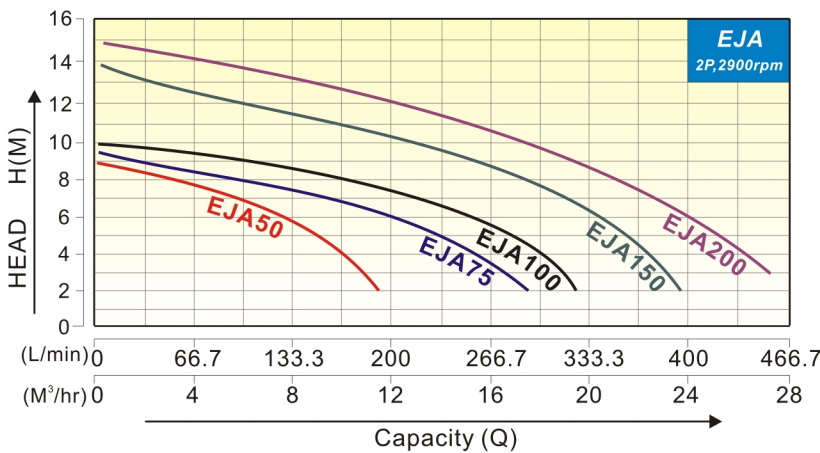
50HZ

1. Pump casing, casing cover and impeller are made of reinforced engineered thermoplastic.
2. Motor shell is made of high quality aluminum alloy with excellent heat dissipation effect.
3. Single phase motor is equipped with built-in overload protector to prevent motor from burnout easily due to abnormal conditions.
4. Equipped with pneumatic switch operation, to ensure easy usage & safety.
5. When motor is off, all the liquid in the pump will drain out rapidly.

Applications

For hydro massage bathtubs, display fish tank water circulation, sea water transfer and re-circulation.

Performance curves



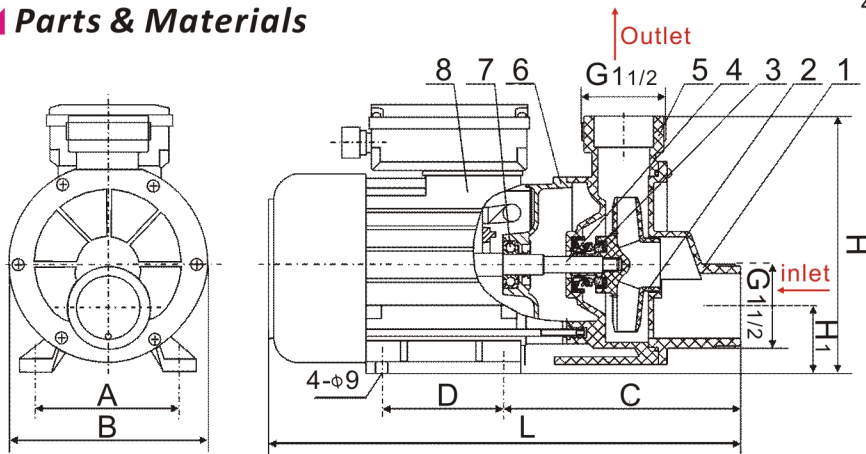
Operating conditions

1. Liquid temperature: 0~+60°C.
2. Ambient temperature: 0~+40°C.
3. Working pressure: Max. 2.5 kg/cm².
4. Clean water, sea water.

Motor Spec.

1. 2-pole induction motor
Single phase: 220~240V*50Hz
60HZ motor is available upon request.
2. Single phase motor with build-in overload protector.
3. Insulation class F, protection IPX5.
4. Suitable for continuous duty

Parts & Materials



No.	Part Name	Material
1.	Pump cover	PP-G20
2.	Impeller	PA6+GF30
3.	Mechanical seal	CA/CE/NBR
4.	Shaft	SUS420
5.	Pump casing	PP-G20
6.	Front cover	PP-G20
7.	Bearing	-----
8.	Motor shell	Aluminum alloy
	Motor coil	Copper

*"SKF" or "NSK" bearing is available upon request.

Specification:

MODEL	Power		Inlet/outlet Inch	Pole P	Rated		Maximum		Dimensions(mm)						Net Weight KG	
	KW	HP			Head M	Capacity L/min	Head M	Capacity L/min	A	B	C	D	H	H1		L
EJA50	0.37	0.5	1.5"	2	6.0	130	9.0	200	100	152	164	80	153	33	317	5.5
EJA75	0.55	0.75	1.5"	2	6.0	200	9.5	300	112	152	172	90	178	43.5	350	8.0
EJA100	0.75	1	1.5"	2	7.0	220	10	330	112	152	172	90	178	43.5	350	8.5
EJA150	1.1	1.5	1.5"	2	10	220	14	400	121	186	218	90	211	48	407	12
EJA200	1.5	2	1.5"	2	11	260	15	460	121	186	218	90	211	48	407	13.5