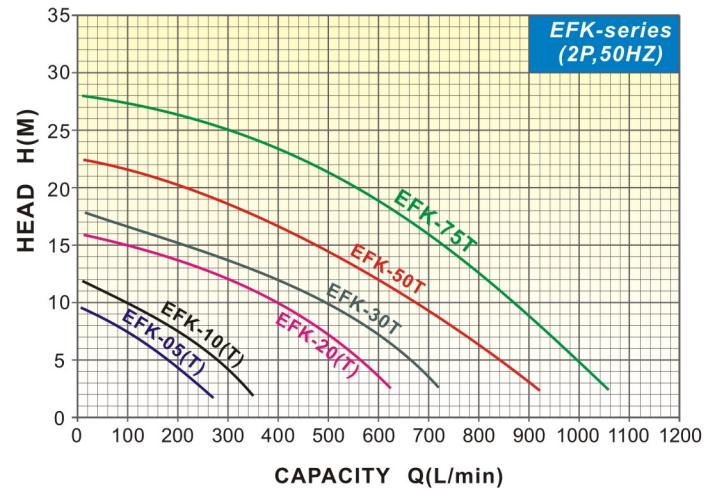




Performance Curves



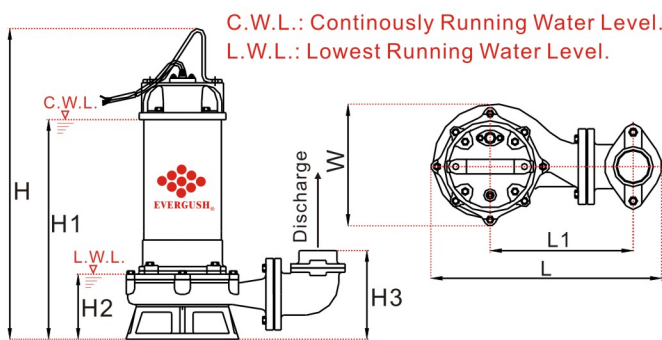
Features

- Impeller is tipped with tungsten cutter to cut off hard objects and prevents impeller from being damaged by hard articles.
- Epoxy resin cable base, 2p dry motor, C3 deep groove bearing, dual mechanical seals, auto-cut protector.

Applications

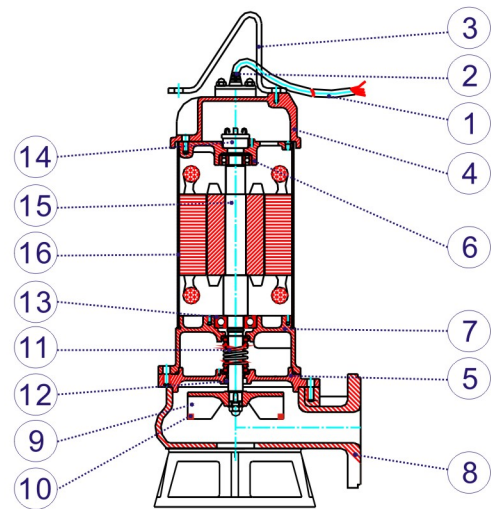
- Sewage drainage from hospitals, schools, husbandry, buildings, stock farm, plants, subway tunnel...etc.
- Dewatering waste water containing hard objects, like sticks, excrement, tiny gravel...etc.

Specification & Dimension



NOTE: Forbid running submersible pumps continuously under L.W.L.

Parts & Material List



| NO | Part | Std. Material | NO | Part | Std. Material |
|----|--------------|----------------|----|---------------|---------------|
| 1 | Cable | UL_STOW | 9 | Impeller | FCD450 |
| 2 | Cable Hood | PVC | 10 | Cutter edge | Tungsten |
| 3 | Handle | Nylon6/SS400 | 11 | Mech. Seal | CA/CE |
| 4 | Motor Cover | Nylon66/ FC200 | 12 | Oil Seal | VITON |
| 5 | Seal Housing | FC200 | 13 | Bearing | (NTN brand) |
| 6 | Bracket | FC200 | 14 | Protector | (T.I.brand) |
| 7 | Oil Chamber | FC200 | 15 | Shaft | SUS410 |
| 8 | Pump Casing | FC200 | 16 | Motor Housing | SUS304 |

• Mech.seal (sic/sic)material is optional upon request.

| Model | Power | | Disch. | Phase | Rated | | Max. | | Dimensions (mm) | | | | | | | Cable | Net Weight | Solid Passage |
|--------------|-------|-----|--------|-------|---------|----------|------|------|-----------------|-----|-----|-----|-----|-----|-----|-------|------------|---------------|
| | KW | HP | | | Head | Capacity | Head | Cap. | L | L1 | W | H | H1 | H2 | H3 | | | |
| | Inch | φ | M | LPM | M | LPM | M | LPM | M | KG | MM | | | | | | | |
| EFK-05(A)(T) | 0.37 | 0.5 | 2" | 1,3 | 5~6 | 180~150 | 9.5 | 300 | 222 | 115 | 145 | 361 | 248 | 64 | 84 | 5 | 13 | 22 |
| EFK-10(A)(T) | 0.75 | 1 | 2" | 1,3 | 6~7.5 | 250~200 | 12 | 400 | 222 | 115 | 149 | 416 | 292 | 64 | 84 | 5 | 18 | 22 |
| EFK-20(A)(T) | 1.5 | 2 | 2"(3") | 1,3 | 10~11 | 400~350 | 16 | 650 | 403 | 250 | 212 | 541 | 393 | 115 | 169 | 5 | 33 | 22 |
| EFK-30T | 2.2 | 3 | 2"(3") | 3 | 11~12 | 450~400 | 18 | 750 | 403 | 250 | 212 | 561 | 413 | 115 | 169 | 5 | 35 | 22 |
| EFK-50T | 3.7 | 5 | 3"(4") | 3 | 12~13 | 600~550 | 22.5 | 1000 | 463 | 260 | 227 | 610 | 445 | 138 | 220 | 5 | 55 | 28 |
| EFK-75T | 5.5 | 7.5 | 3"(4") | 3 | 12.5~15 | 800~730 | 28 | 1100 | 463 | 260 | 227 | 650 | 485 | 138 | 220 | 5 | 61 | 28 |

Remarks: • (A): Equipped with automatic float switch. • (T): Three phase motor. • 10M cable are available for 0.5~7.5HP models per special request.



Product Features

- Through simple and convenient installation, we can connect the pump onto guide rail device. Whenever the pump needs maintenance, it can be easily pulled out through guide bar to dismantle, repair or examine the pump. For safety purpose, The workers no longer need to go down the septic tank to do maintenance. It will greatly reduce down time.

Applications

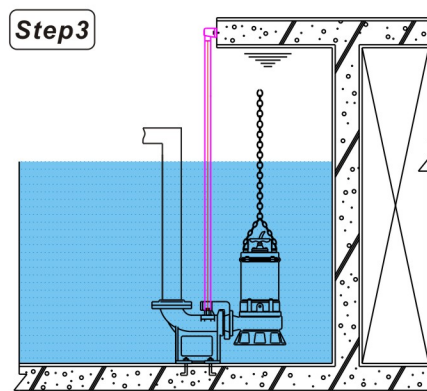
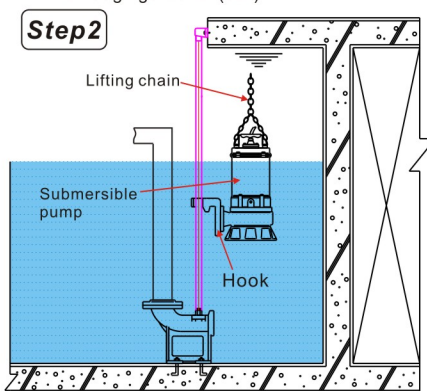
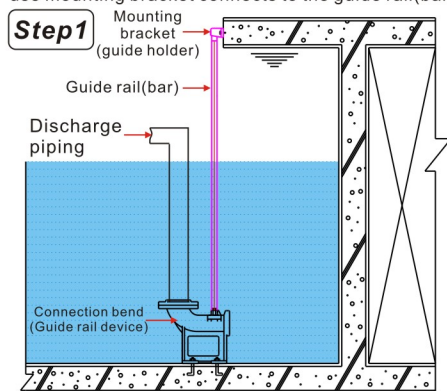
- Animal husbandry and dairying septic tank waste water drainage; sewers, apartments, buildings and basements sewage treatment equipment drainage; Dye house, fur and leather industry and steel industry waste water drainage; other waste water treatments drainage.

Installation Diagram

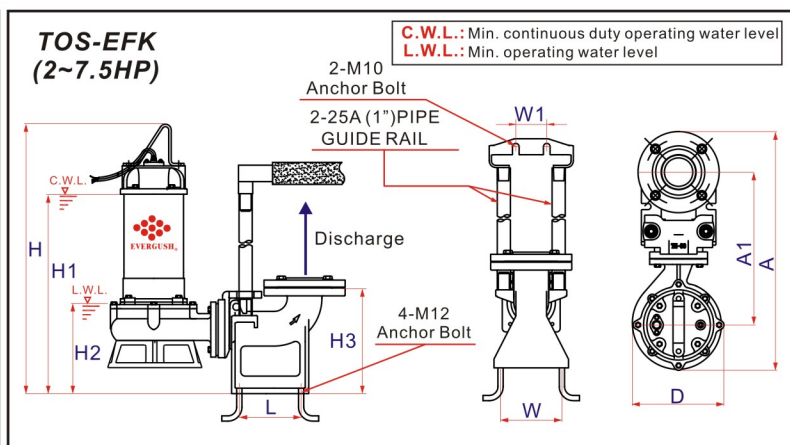
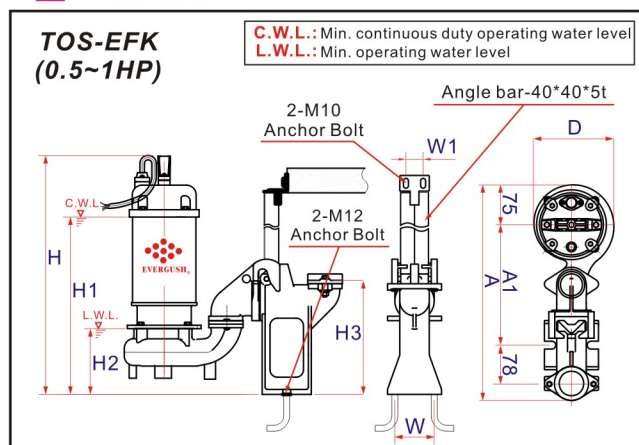
Guide rail device should connect to discharge pipeline. It should be firmly fixed to the bottom. After that, you should use mounting bracket connects to the guide rail(bar).

The hook should connect to the pump. After that, you should use the chain to slowly slide it down through guide rail(bar).

The pump will slide down through guide bar until it connects to guide rail device tightly.



Dimension



| Model | Power | Disch. Inch | Dimensions(mm) | | | | | | | | | | Weight(KG) | |
|---------------|-------|----------------|----------------|-----|-----|-----|-----|-----|-----|-----|-----|-----|------------|------------|
| | HP | | A | A1 | D | H | H1 | H2 | H3 | L | W | W I | TOS Device | TOS & PUMP |
| TOS-EFK-05(T) | 0.5 | 2" | 425 | 240 | 150 | 422 | 307 | 150 | 225 | --- | 80 | 35 | 6 | 19 |
| TOS-EFK-10(T) | 1 | 2" | 425 | 240 | 150 | 502 | 377 | 150 | 225 | --- | 80 | 35 | 6 | 24 |
| TOS-EFK-20(T) | 2 | 3" | 545 | 350 | 210 | 650 | 480 | 210 | 243 | 110 | 140 | 70 | 16 | 49 |
| TOS-EFK-30T | 3 | 3" | 545 | 350 | 210 | 670 | 500 | 210 | 243 | 110 | 140 | 70 | 16 | 51 |
| TOS-EFK-50T | 5 | 4" | 730 | 520 | 230 | 745 | 580 | 270 | 310 | 160 | 150 | 70 | 24 | 79 |
| TOS-EFK-75T | 7.5 | 4" | 730 | 520 | 230 | 785 | 620 | 270 | 310 | 160 | 150 | 70 | 24 | 85 |

Remarks: ● TOS means cast iron guide rail device. (Q.D.C:Quick Discharge Device) ● "T" means 3 phase motor.