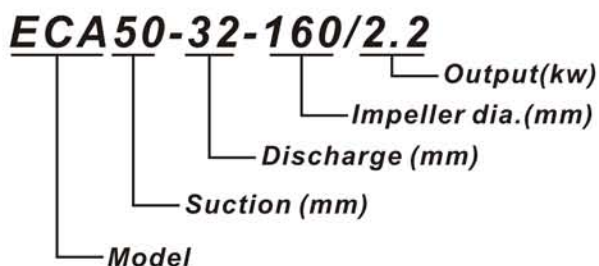




▲ Models:



▲ Specifications:

(2900R.P.M.)

Model	Output (P)		Capacity Q(M ³ /Hr)	Head H(M)
	KW	HP		
ECA50-32-160/1.1	1.1	1.5	12.5	16.5
ECA50-32-160/1.5	1.5	2		20
ECA50-32-160/2.2	2.2	3		26
ECA50-32-200/3.0	3.0	4		34
ECA50-32-200/4.0	4.0	5.5		45
ECA50-32-200/5.5	5.5	7.5		54
ECA65-40-125/1.5	1.5	2	25	13.5
ECA65-40-125/2.2	2.2	3		20
ECA65-40-125/3.0	3.0	4		25
ECA65-40-160/4.0	4.0	5.5		31
ECA65-40-200/5.5	5.5	7.5		41
ECA65-40-200/7.5	7.5	10		48
ECA65-40-200/11	11	15	50	67
ECA65-50-125/3.0	3.0	4		13
ECA65-50-125/4.0	4.0	5.5		18
ECA65-50-160/5.5	5.5	7.5		25
ECA65-50-200/7.5	7.5	10		32
ECA65-50-200/11	11	15		48
ECA65-50-200/15	15	20		62
ECA65-50-200/18.5	18.5	25		68

▲ Product Features:

1. Main pump construction and inside components adopt stainless steel materials. It will not create rusting problem. It also has better wear resistant.
2. It is vortex design which has better efficiency.
3. Back pull-out design which is easy to dismantle. It allows the pump bearing frame and impeller to be backed out of the volute without disturbing the pump piping connections.
4. Special volute design for low noise operation and great performance.
5. It is close coupled design. The pump and motor are using the same shaft. This will cancel out the fluctuations which will save energy and resource.

▲ Applications:

1. Civil, agriculture and industrial water supply systems.
2. Winery and food systems.
3. Heating equipments and air conditioning systems.
4. Temporary water supply for construction sites.
5. Cooling tower circulation systems.
6. Cleaning systems.
7. Swimming pool circulation systems.
8. Sprinkler systems and agriculture irrigation.

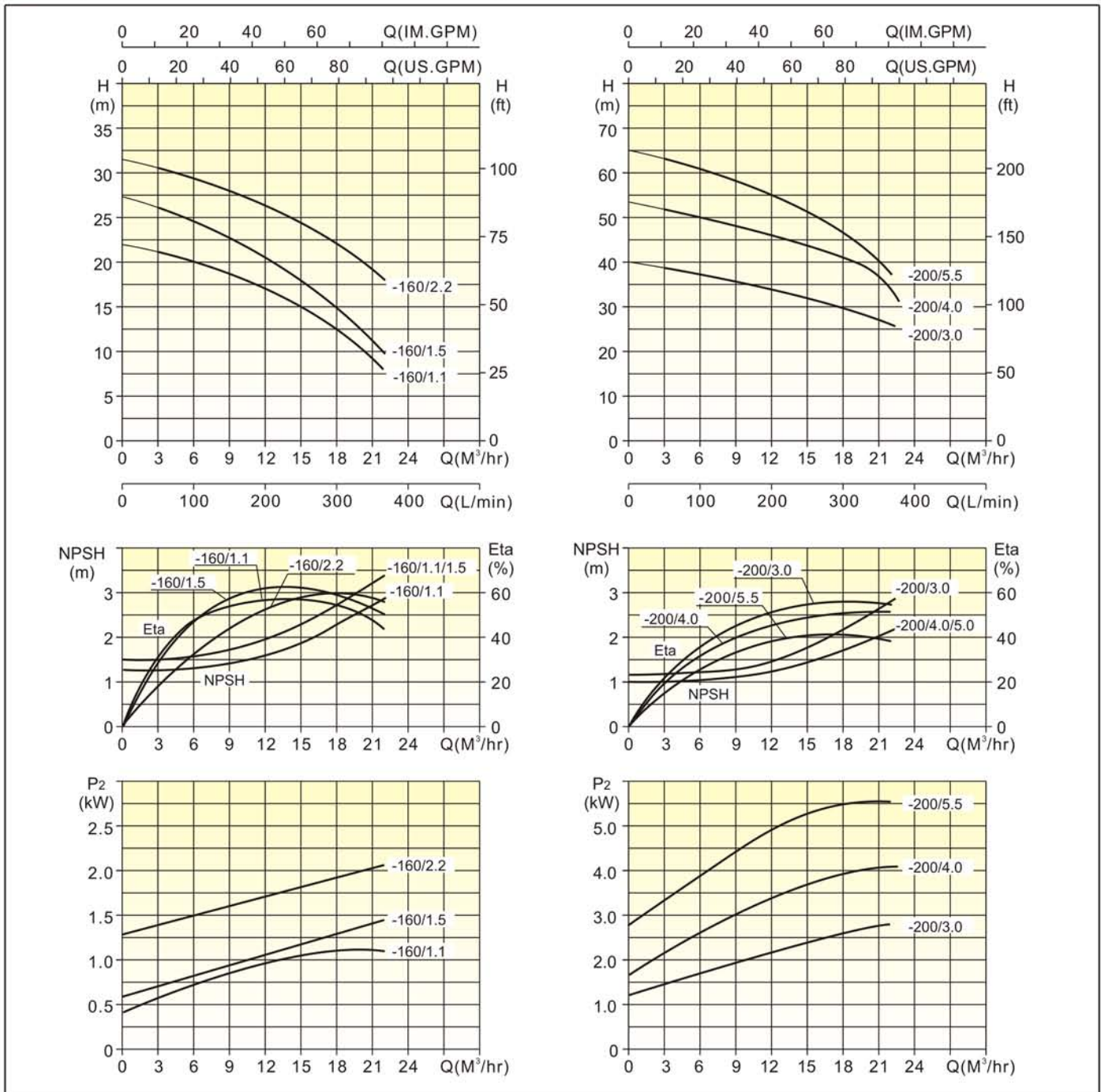
▲ Motor Spec.:

1. 2 pole induction motors.
2. Insulation class: F.
3. Protection class: IPX5.
4. Voltages: 1 phase 220V(Below 3 HP)
3 phase 220V~415V(50HZ)

▲ Working conditions:

1. Ambient temperature: +0~+50°C.
2. Liquid temperature: +0~+70°C.
3. Max. head: 70M.
4. Max. capacity: 70 m³/hr.
5. Do not use it for sea water or highly corrosive liquids.
6. Max. working pressure: 10 bar.

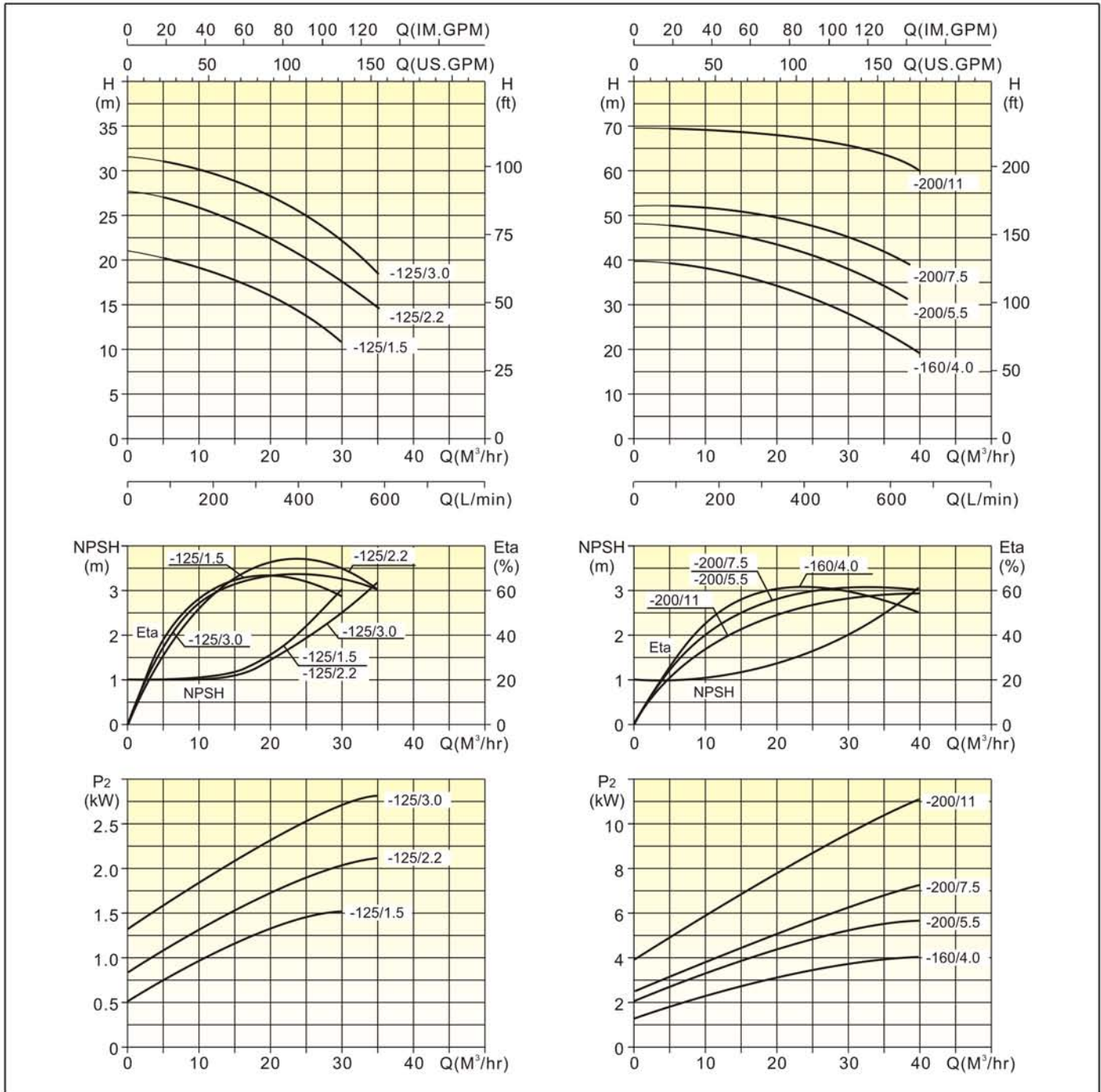
Performance Curves(ECA50-32-xxx):



Performance Table(ECA50-32-xxx):

Model	Power P ₂ (kW)	Q (m ³ /h)	3	6	9	12.5	15	18	20	22
ECA50-32-160/1.1	1.1	H (m)	21	20	18.5	16.5	15	12.5	10	8
ECA50-32-160/1.5	1.5		26	24.5	22.5	20	18.5	15	12.5	9.5
ECA50-32-160/2.2	2.2		30.5	29.5	27.5	26	24	22.5	20.5	18
ECA50-32-200/3.0	3.0		38	37	35	34	32	30	28	26
ECA50-32-200/4.0	4.0		51.5	50	48	45	43	41	39	30
ECA50-32-200/5.5	5.5		62	60	58	54	52	47	42	37

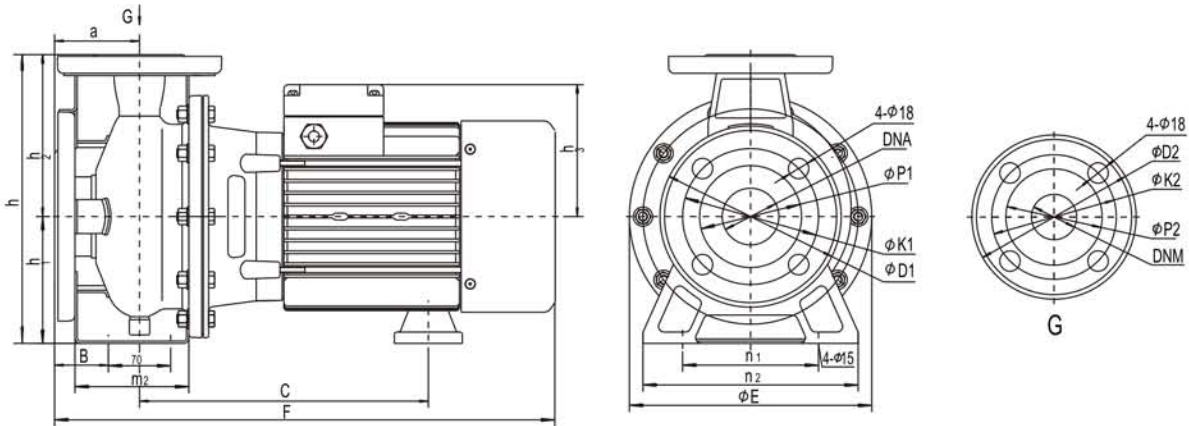
▲ Performance Curves(ECA65-40-xxx):



▲ Performance Table(ECA65-40-xxx):

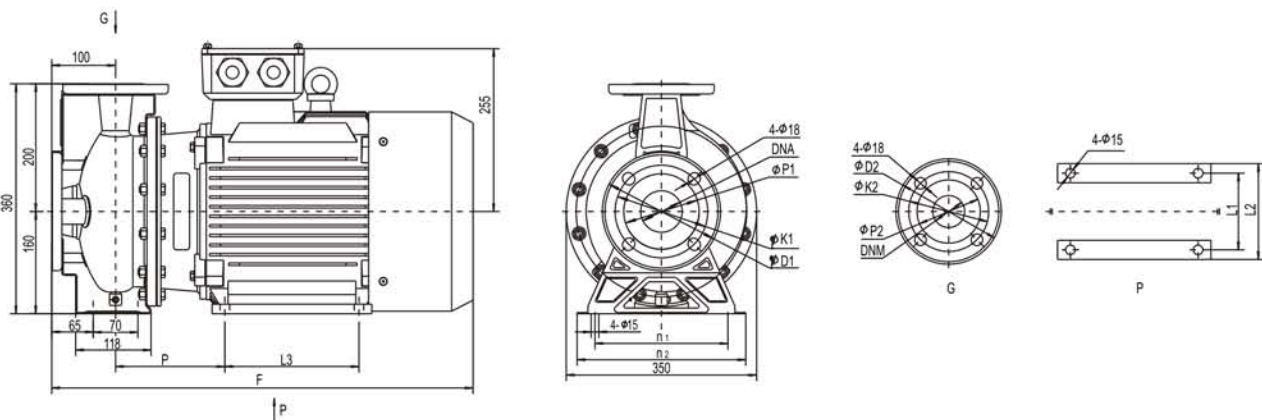
Model	Power P ₂ (kW)	Q (m ³ /h)	5	10	15	20	25	30	35	40
ECA65-40-125/1.5	1.5	H (m)	20	19	17.5	16	13	10.5		
ECA65-40-125/2.2	2.2		27	26	24	22	20	17	14	
ECA65-40-125/3.0	3.0		31	30	29	27	25	22	18	
ECA65-40-160/4.0	4.0		39	38	36.5	34	31	28	24	19
ECA65-40-200/5.5	5.5		47	46	45.5	44	41	38	34	30
ECA65-40-200/7.5	7.5		52	51.5	51	50	48	45	42	38
ECA65-40-200/11	11		69	69	68.5	68	68	66	64	60

▲ Dimensions(1.1~15kw):



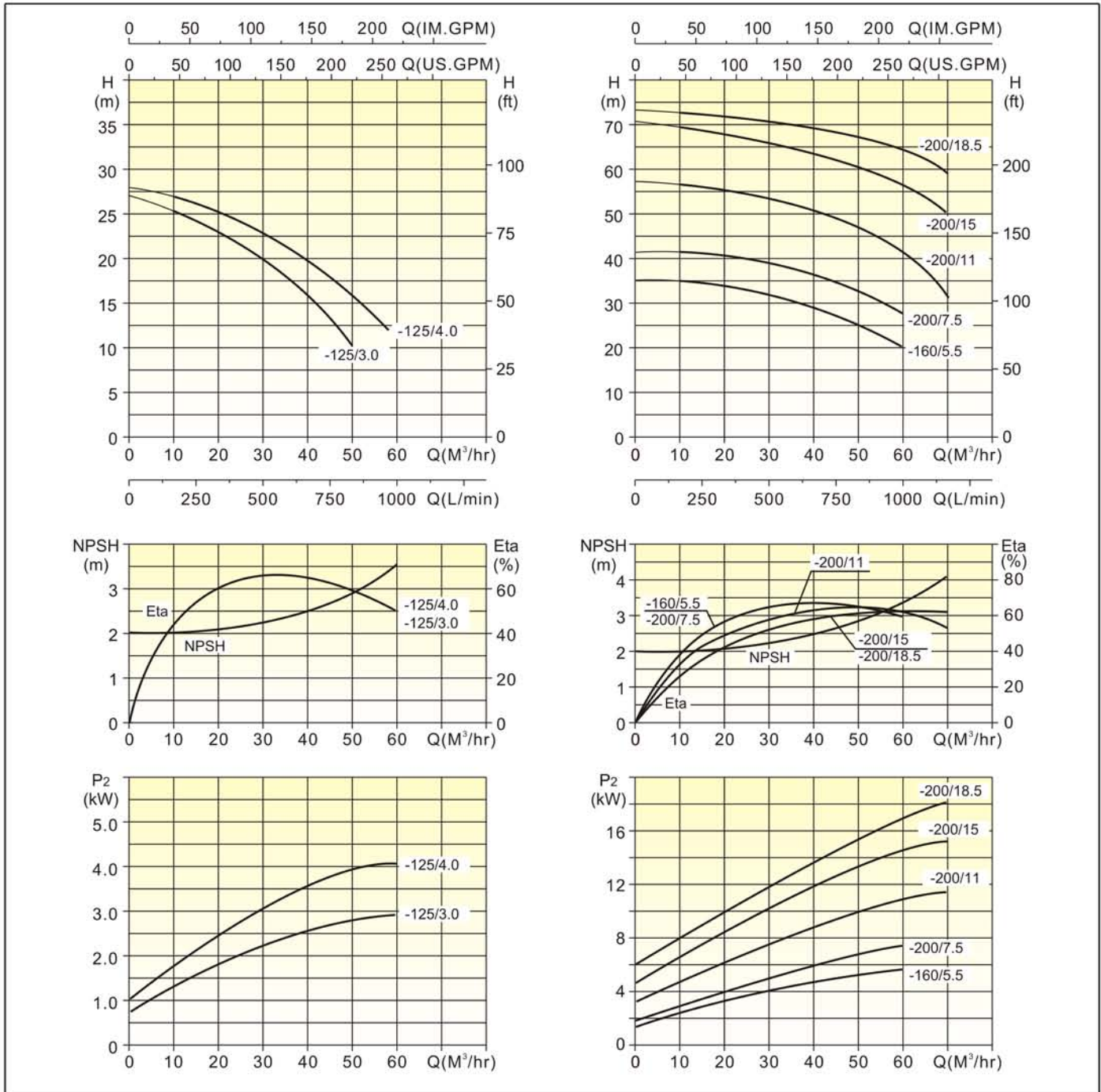
Model	P ₂ (KW)	φE	F	h	h1	h2	h3	a	m2	n1	n2	B	C	φD1	φK1	φP1	φD2	φK2	φP2	DNA	DNM
ECA50-32-160/1.1	1.1	210	395	255	112	143	134	80	115	160	190	45	215	165	125	96	140	100	76	50	32
ECA50-32-160/1.5	1.5	210	395	255	112	143	134	80	115	160	190	45	215	165	125	96	140	100	76	50	32
ECA50-32-160/2.2	2.2	210	438	255	112	143	119	80	115	160	190	45	245	165	125	96	140	100	76	50	32
ECA50-32-200/3.0	3.0	300	450	340	160	180	119	80	118	290	240	45	245	165	125	96	140	100	76	50	32
ECA50-32-200/4.0	4.0	300	498	340	160	180	142	80	118	290	240	45	257	165	125	96	140	100	76	50	32
ECA50-32-200/5.5	5.5	300	532	340	160	180	162	80	118	290	240	45	272	165	125	96	140	100	76	50	32
ECA65-40-125/1.5	1.5	210	395	255	112	143	134	80	115	260	190	45	215	185	145	115	150	110	80	65	40
ECA65-40-125/2.2	2.2	210	438	255	112	143	119	80	115	260	190	45	245	185	145	115	150	110	80	65	40
ECA65-40-125/3.0	3.0	260	450	295	132	160	119	80	118	290	240	45	245	185	145	115	150	110	80	65	40
ECA65-40-160/4.0	4.0	260	498	295	132	160	142	80	118	290	240	45	258	185	145	115	150	110	80	65	40
ECA65-40-200/5.5	5.5	300	554	360	160	200	162	100	118	212	264	65	274	185	145	115	150	110	80	65	40
ECA65-40-200/7.5	7.5	300	595	360	160	200	162	100	118	212	264	65	274	185	145	115	150	110	80	65	40
ECA65-40-200/11	11	300	623	360	160	200	179	100	118	212	264	65	335	185	145	115	150	110	80	65	40
ECA65-50-125/3.0	3.0	260	455	295	132	160	119	80	115	190	240	45	245	185	145	115	165	125	96	65	50
ECA65-50-125/4.0	4.0	260	498	295	132	160	142	80	115	190	240	45	258	185	145	115	165	125	96	65	50
ECA65-50-160/5.5	5.5	300	554	360	160	200	162	100	118	212	264	65	274	185	145	115	165	125	96	65	50
ECA65-50-200/7.5	7.5	300	595	360	160	200	162	100	118	212	264	65	274	185	145	115	165	125	96	65	50
ECA65-50-200/11	11	300	623	360	160	200	179	100	118	212	264	65	335	185	145	115	165	125	96	65	50
ECA65-50-200/15	15	300	665	360	160	200	179	100	118	212	264	65	335	185	145	115	165	125	96	65	50

▲ Dimensions(18.5kw):



Model	P ₂ (KW)	F	n1	n2	P	L1	L2	L3	φD1	φK1	φP1	φD2	φK2	φP2	DNA	DNM
ECA65-50-200/18	18.5	725	212	264	175	254	320	254	185	145	115	165	125	96	65	50

Performance Curves(ECA65-50-xxx):



Performance Table(ECA65-50-xxx):

Model	Power P ₂ (kW)	Q (m ³ /h)	5	10	20	30	40	50	60	70
ECA65-50-125/3.0	3.0	H (m)	27	26	23	20	16	10		
ECA65-50-125/4.0	4.0		28	27	26	24	21	16		
ECA65-50-160/5.5	5.5		34.5	34.5	34	31.5	28.5	24	20	
ECA65-50-200/7.5	7.5		41	41	40.5	39	36	32	27.5	
ECA65-50-200/11	11		57	56	55	53	51	48	42	30
ECA65-50-200/15	15		69	68	67	65	64	62	57	50
ECA65-50-200/18.5	18.5		73	72	71	70	69	68	65	59