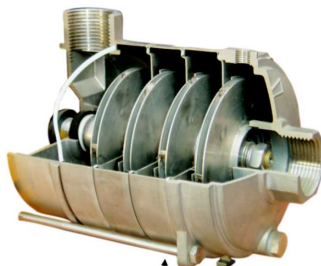


Optional
Equipped with
Auto controller



Stainless Steel Pump
Construction

Operating Conditions

1. Ambient temperature: +2°C~+50°C.
2. Liquid temperature: +2°C~+60°C.
3. Working Pressure: Max. 10 bar.
4. Clean water, other non-corrosive, non-flammable liquids without abrasives.

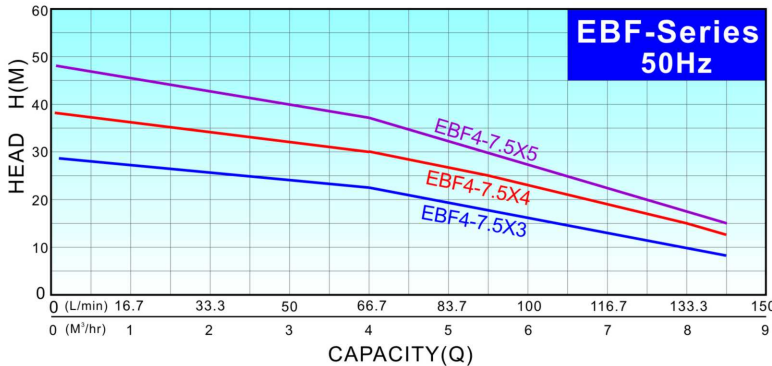
Applications

1. For clean liquids, without solid or filamentary matter, which are non-explosive, non-corrosive or non-inflammable for the pump materials.
2. Garden sprinkler systems and booster systems
3. Air conditioning and cooling systems, washing plants and other special uses.
4. Water supply for apartments and residences.

Features

1. Fully stainless steel pump construction to ensure clean water provided.
2. Low operation noise, high motor efficiency.
3. Compact structure, space-saver, and easy to install and dismantle.

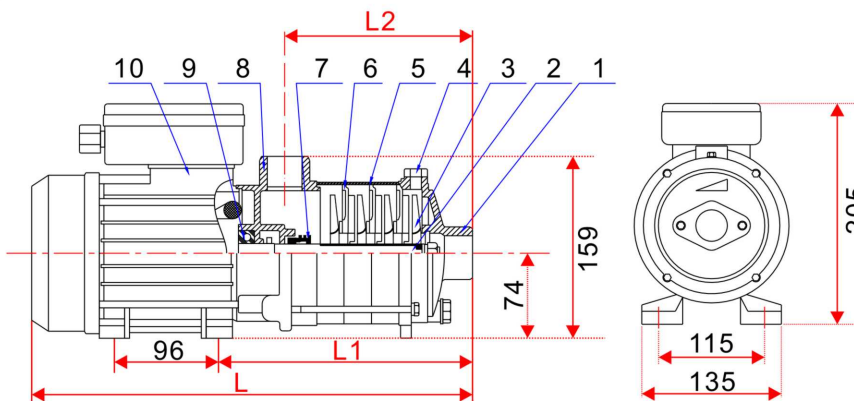
Performance Curves



Motor Spec.

1. Voltage: Single phase 220V~240V
Three phase 380V~415V
2. Frequency: 50HZ
(60HZ is available upon request)
3. Enclosed class: IP54
4. Insulation: F
5. Enclosed Fan cooled, 2 Pole motor.
6. Built in motor overload protector.

Parts & Materials



Part Name	Material
1. Inlet Section	SUS304
2. Impeller	SUS304
3. Plug	SUS304
4. Motor Shaft	SUS420
5. Washer	NBR
6. Guide Vane	SUS304
7. Mechanical Seal	CE+CA+SIC
8. Outle Section	SUS304
9. Bearing	-----
10. Motor shell	Aluminum alloy

Specification

Model	Impeller Stages	Power		PH	Voltage V	Inlet / outlet inch	Rated head M	Rated capacity M³/H	Max. head M	Max. capacity M³/H	Dimensions (unit:mm)			Net Weight KG
		W	HP								L	L1	L2	
EBF4-7.5x3(T)	3	550	0.75	1	220~240	1"	22	4.0	28	8.5	370	200	141	10
				3	380~415									
EBF4-7.5x4(T)	4	750	1.0	1	220~240	1"	30	4.0	38	8.5	394	224	165	12
				3	220~415									
EBF4-7.5x5(T)	5	1000	1.3	1	220~240	1"	37	4.0	46	8.5	418	248	189	14
				3	220~415									

●(T): Three phase motor