



EAP-03



EAP-05



EAP-03F



EAP-05F

(Includes vertical connecting rod automatic float switch)

Product Features

1. It has build-in thermal overload protector which will extend product life cycle.
2. The pump main structure is composed of reinforce plastic and stainless steel components.
3. Anti-air lock vent hole design.
4. Light weight and portable design.
5. Adds a connector for pipeline.
6. Non-clog vortex impeller design.
Max. solid passage diameter is 9mm.
7. Available with vertical connecting rod automatic float switch (Model: EAP-03 and EAP-05F). If water level is lower than its standard level, it will prevent motor to burn up.

Working conditions

1. Ambient temperature: +0~+40°C.
2. Liquid temperature: +0~+40°C.
3. DO not use it in sea water, corrosive and food grade liquid applications.
4. It is used for continuous duty operation.
5. Min. drainage height: 15mm.
6. Includes vertical connecting rod automatic float switch--start/stop/height:
EA-03F: Starting water level: 190mm/
Stopping water level: 100mm.
EA-05F: Starting water level: 178mm/
Stopping water level: 102mm.

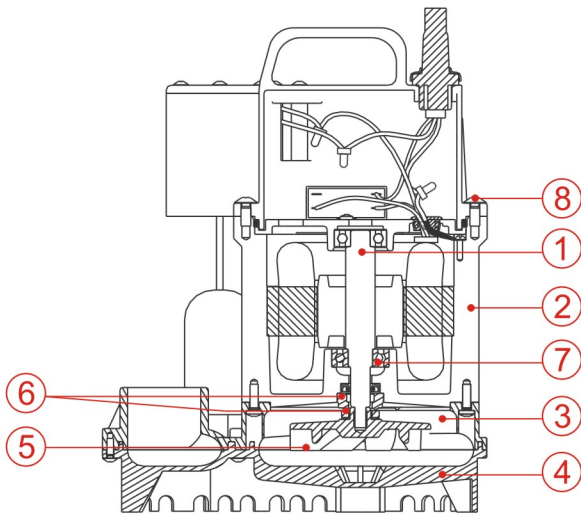
Applications:

1. Waste water drainage.
2. Agriculture and landscaping water supply.
3. Construction site and basement drainage.
4. Fish pond circulation water supply.

Motor:

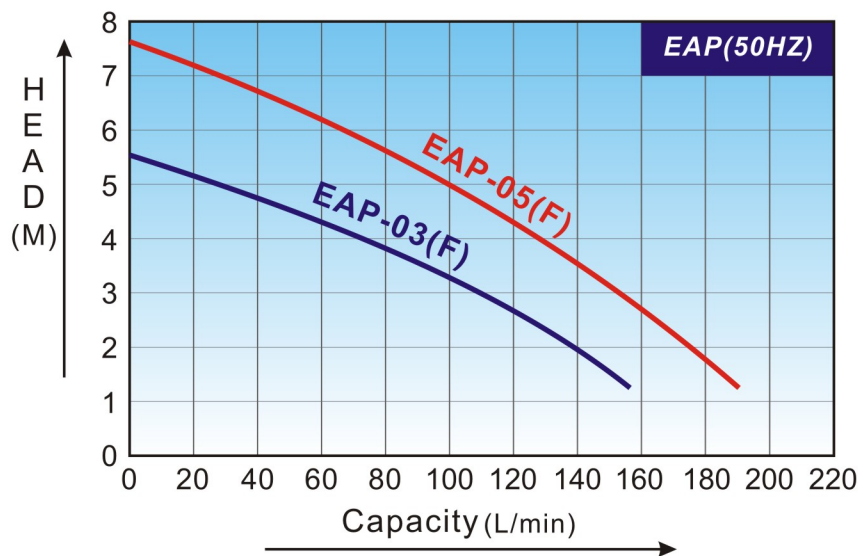
1. Voltage: 1 phase 220~240V(50hz).
2. Rotational speed: 2900rpm/2P.
3. EAP-03: Environmental friendly dry type motor design.
4. EAP-05: High efficiency oil type heat dissipation motor design.

Structure



NO.	Components	Material	
		EAP-03(F)	EAP-05(F)
1	Shaft	SUS 420J2	Carbon Steel
2	Motor casing	PP+30%G.F.	FC150
3	Pump casing	PP+30%G.F.	ABS
4	Base	PP+30%G.F.	ABS
5	Impeller	PP+30%G.F.	PA66+30%G.F.
6	Mech. seal	CA/CE	CA/CE
7	Gasket	NBR	NBR
8	Bolt or screw	SUS304	SUS304

Performance Curves



Specifications

Model	Power HP	Discharge		Pole P	PH ∅	Voltage V	Current A	Total head M	Rated head M	Rated Flow L/MIN	Solid dia. MM	Dimensions		Weight KG
		INCH	MM									Width MM	Height MM	
EAP-03	1/3	1 1/2"	40	2	1	220	1.6	5.5	1.5	144	9	235	315	4.4
EAP-03F									3.0	115				4.6
EAP-05	1/2	1 1/2"	40	2	1	220	3.0	7.6	1.5	189	9	240	325	7.5
EAP-05F									4.0	125				7.9