

100/150 SERIES

Guided quad check valve system

The standard by which all other dosing pumps are judged, *Chem-Tech 100/150 Series* pumps with motorized-diaphragm technology deliver dependable performance and extended longevity. The *100/150 Series* provides quiet, consistent metering over long periods of time in a compact form.

A tried-and-true electric motor transfers power via a sealed gear-box and eccentric cam for smooth, *reliable* dosing.

Simple, adjustable system with knob and locking lever provide *easy* flowrate control and turndown.

The compact, injection-molded housing and clear pump head offer both *affordability* and chemical resistance.

The industrial grade, low-stress diaphragm provides *long life*, even in harsh conditions and continuous duty cycles.



Chemical Resistant Materials

Bleed Valve Assembly

Feed Rate Control

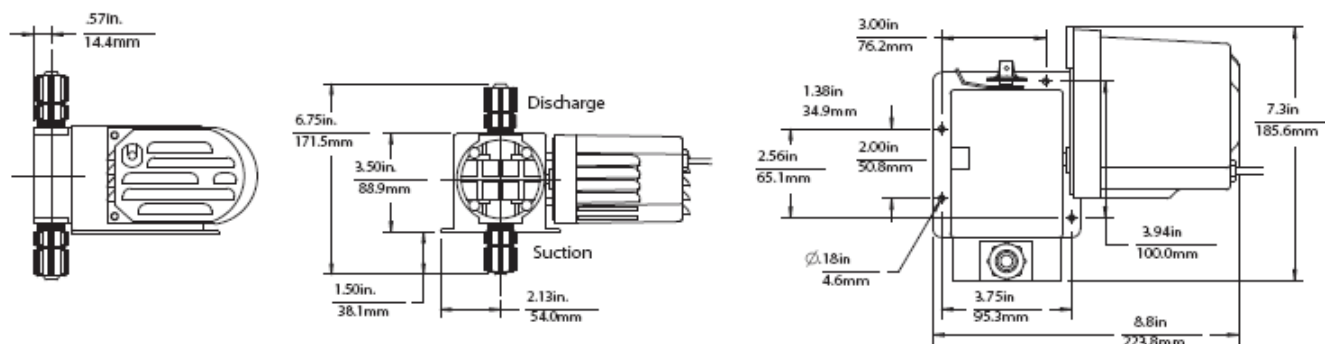
Self Priming

Sealed Gear Train

Simple Installation

Specifications		Optional
Max. Viscosity	300 Cps	
Enclosure		
Temperature Limitations	125F / 51C max.	
Electrical Requirements	1/6 HP, 115V / 60 Hz	230V / 60Hz or 230V / 50Hz
Shipping Weight	8 lbs. / 3.63kg.	

* Specifications subject to change without notice



Chem-Tech Series 100 & 150 Specifications

MATERIALS OF CONSTRUCTION		
DESCRIPTION	STANDARD PUMPS	MATERIALS FOR SPECIAL APPLICATIONS
Pump Head	SAN	PVC, Polypropylene, or 316 SST
Diaphragm	Hypalon	Viton, PTFE Coated
Valve Seats	Hypalon	Viton, PTFE
Gaskets	PTFE	PTFE
Discharge Tubing	Polyethylene	1/2" NPT Connections
Suction Tubing	Flexible PVC	1/2" NPT Connections
Ball Checks	Ceramic	PTFE, 316 SST
Fittings	PVC	Polypropylene, 316 SST

NOTE: Maximum viscosity: 300 Cp., consult factory or chemical Resistance Guide for specific solutions, special components and accessories.

DIMENSIONS:

6+3/4"Hx8+7/8"Wx7+1/4"D (Series 100 & 150)
6+3/4"Hx12+5/16"Wx7+1/4"D (Series 100D)

TEMPERATURE LIMITATIONS:

125°F/51°C max.

ELECTRICAL REQUIREMENTS:

1/60 HP, 115V/60cy; 230V/60cy and 230V/60cy available on request

SHIPPING WEIGHT:

8 lbs./3.63 kg. (Series 100 & 150)
12 lbs./5.4 kg. (Series 100D)

Specifications subject to change without notice.

SPECIFICATIONS									
Model Number	Max pressure psi/kgm2	Max Output capacity (lit/hour)	Stroke/Minute	Amps 220v, Full Load	Model Number	Max pressure psi/kgm2	Max Output capacity (lit/hour)	Stroke/Minute	Amps 220v, Full Load
SERIES 100					1264	60/4.2	1.89	13	28
X003	100/7	0.47	07	24	1265	60/4.2	1.89	13	28
X007	100/7	1.10	13	33			1.43		
X015	100/7	2.36	25	40	1344	75/5.25	2.20	25	40
X024	100/7	3.80	51	40			2.20		
X030	100/7	4.73	51	40	1345	75/5.25	2.83	25	40
SERIES 150							2.83		
X068	60/4.20	10.72	51	0.7	1355	75/5.25	2.83	25	40
X100	60/4.20	15.75	70	0.7			2.83		
X150	42/3.00	23.60	96	0.7	1364	60/4.2	3.94	25	40
X200	36/2.52	31.50	122	0.7			2.36		
X280	36/2.52	44.00	170	0.7	1365	60/4.2	3.94	25	40
X320	14/2.00	50.00	232	0.7					
X380	7.3/1.05	59.90	278	0.7					
SERIES 100D							Lit/hour per head		
1144	50/3.5	0.63	7	20	1444	75/5.25	4.73	51	53
		0.63					4.73		
1145	50/3.5	0.78	7	20	1445	75/5.25	5.20	51	53
		0.63					4.73		
1155	50/3.5	0.78	7	20	SERIES 150D				
		0.78			1455	75/5.25	5.20	51	53
1244	75/5.25	1.02	13	28			5.20		
		1.02			1464	60/4.2	10.88	51	53
1245	75/5.25	1.18	13	28			5.04		
		1.02			1465	60/4.2	10.92	51	53
1255	75/5.25	1.18	13	28			5.53		
		1.18			1466	60/4.2	378.00	72	53



An ISO Certified Company



CTI-001 COB



Standard Product Operations

27101 Airport Road • Punta Gorda, Florida 33982
TEL (941) 575-3800 • TEL 800-333-6677
FAX (941) 575-4085 • FAX 800-456-4085
spotech@idexcorp.com • www.pulsafeeder.com